

D

D

C

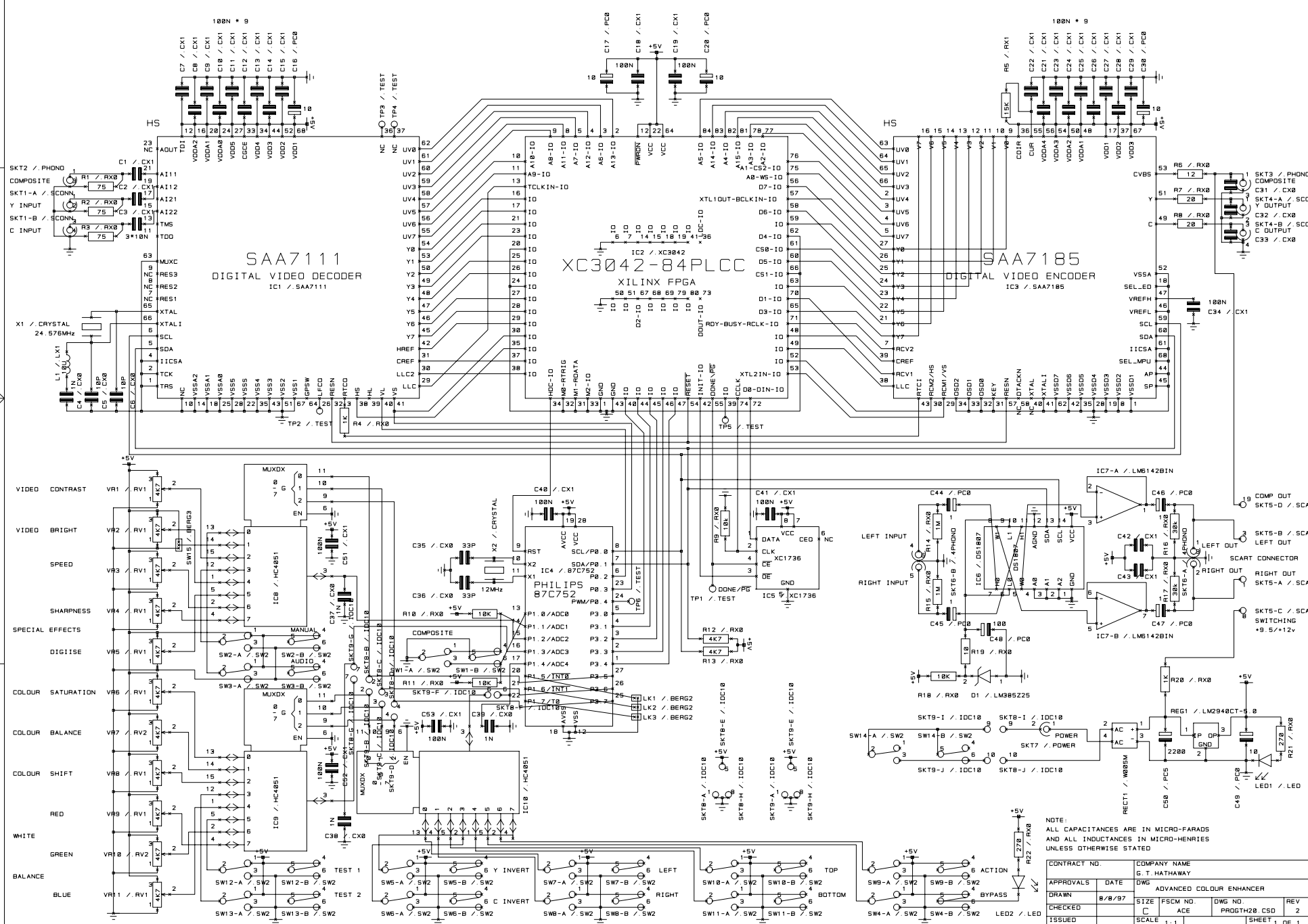
C

B

B

A

A



NOTE:
ALL CAPACITANCES ARE IN MICRO-FARADS
AND ALL INDUCTANCES IN MICRO-HERTZES
UNLESS OTHERWISE STATED

CONTRACT NO.	COMPANY NAME
APPROVALS	G. T. HATHAWAY
DRAWN	DATE
CHECKED	8/8/97
ISSUED	DWG
	ADVANCED COLOUR ENHANCER
	SIZE
	FSCM NO.
	DWG NO.
	PRGTH20.CSD
	SCALE
	1:1
	SHEET
	1 OF 1